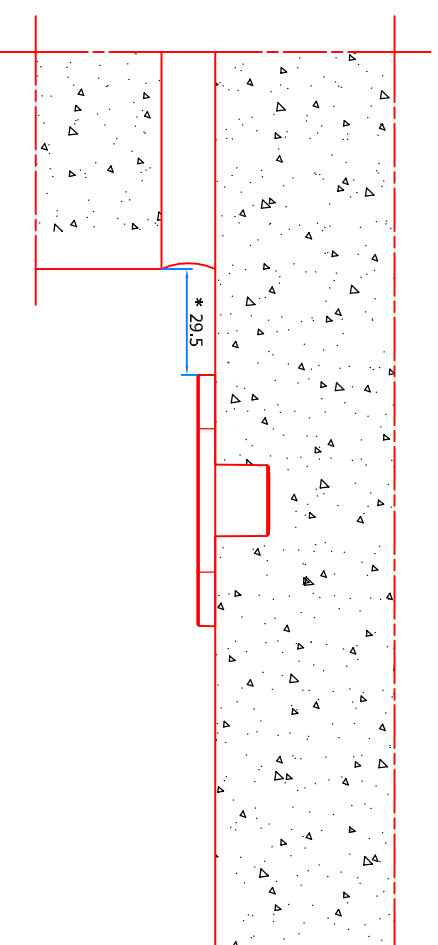
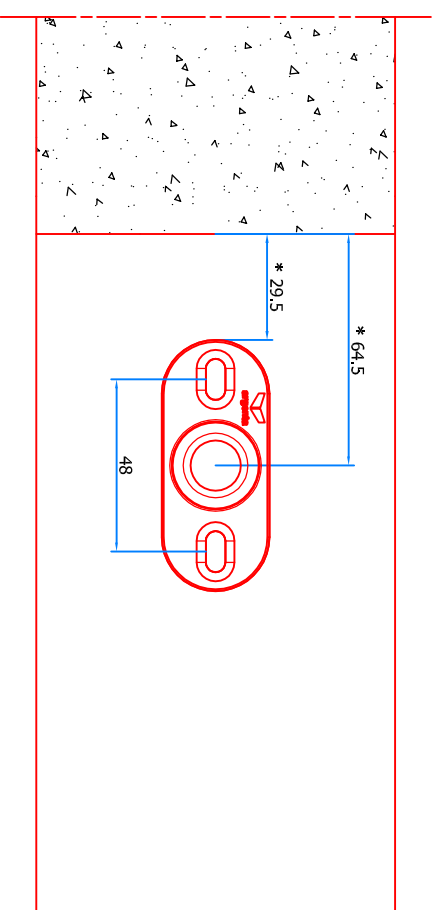
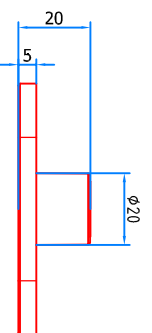
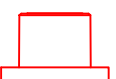
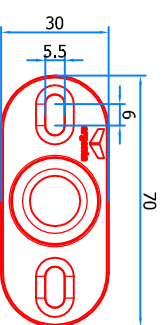
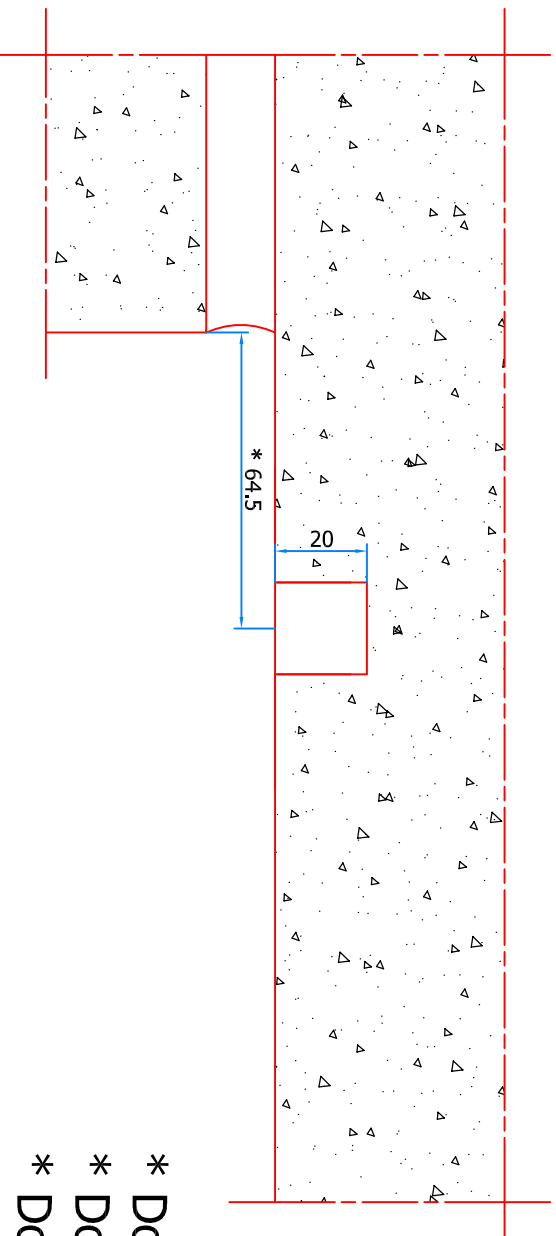
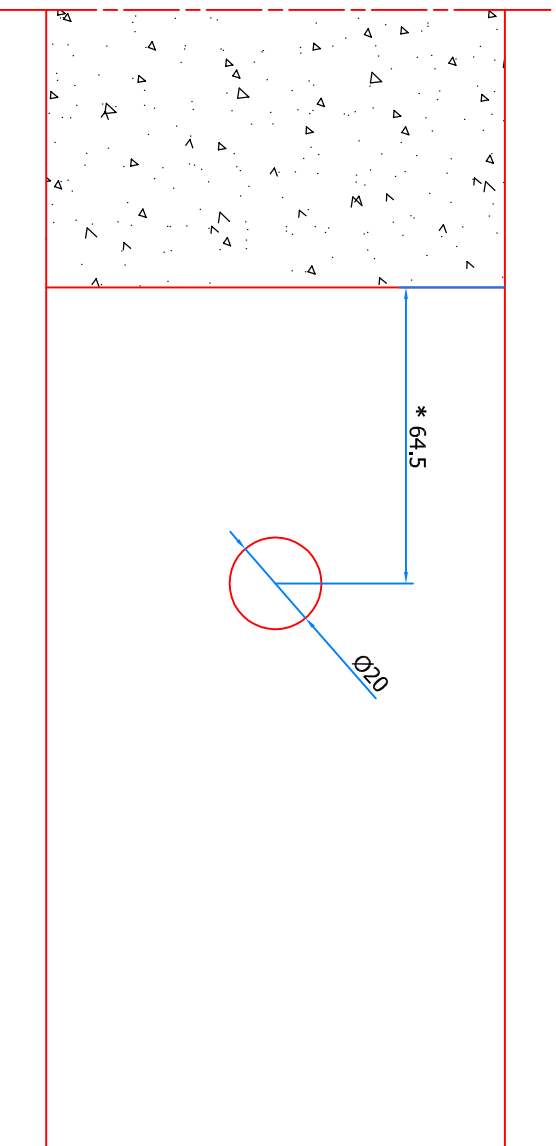


# Top part wall/frame



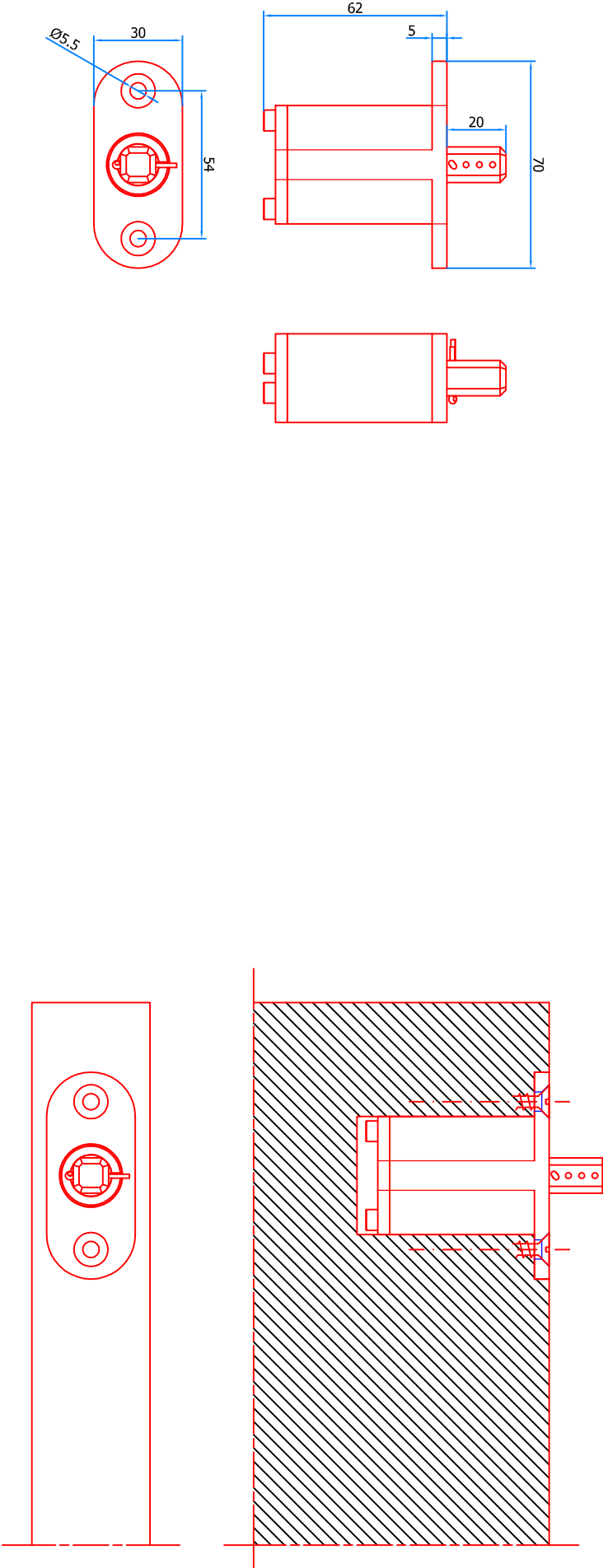
- \* Door 40mm: =
- \* Door 45mm: =
- \* Door 50mm: +1mm
- \* Door 54mm: +2mm

# Wall/Frame

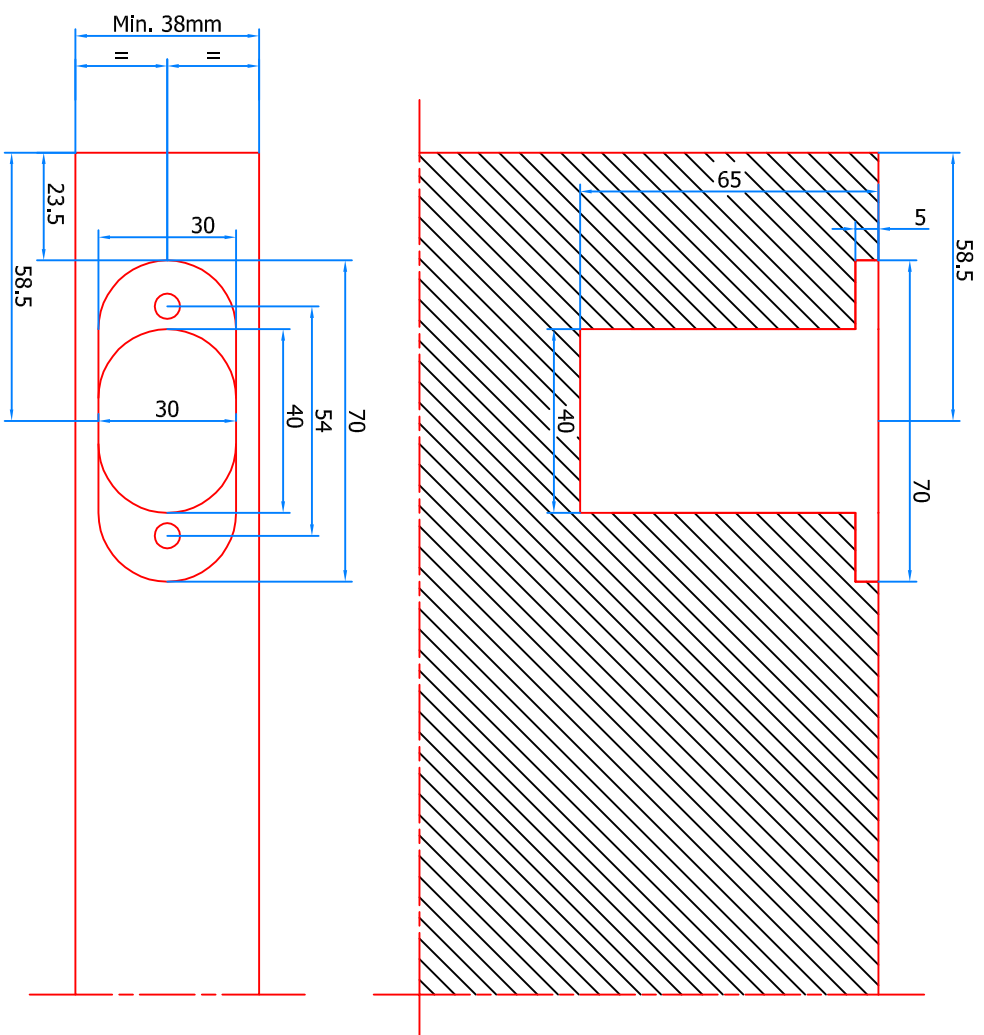


- \* Door 40mm: =
- \* Door 45mm: =
- \* Door 50mm: +1mm
- \* Door 54mm: +2mm

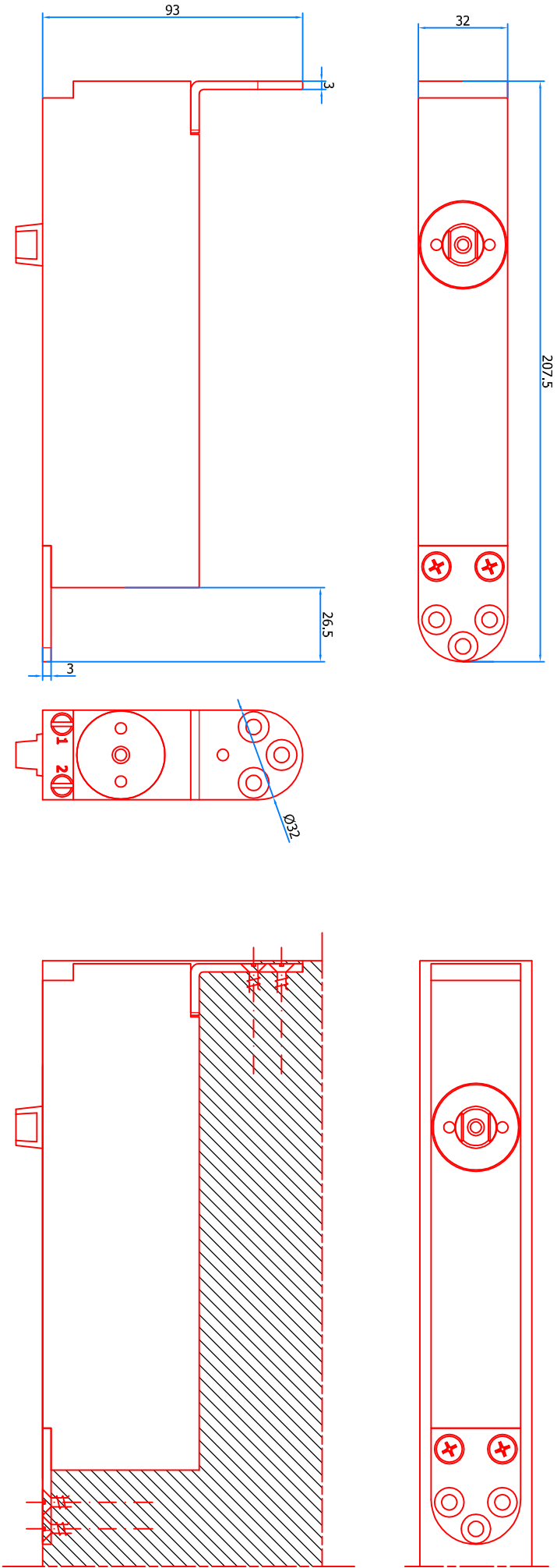
# Top part door



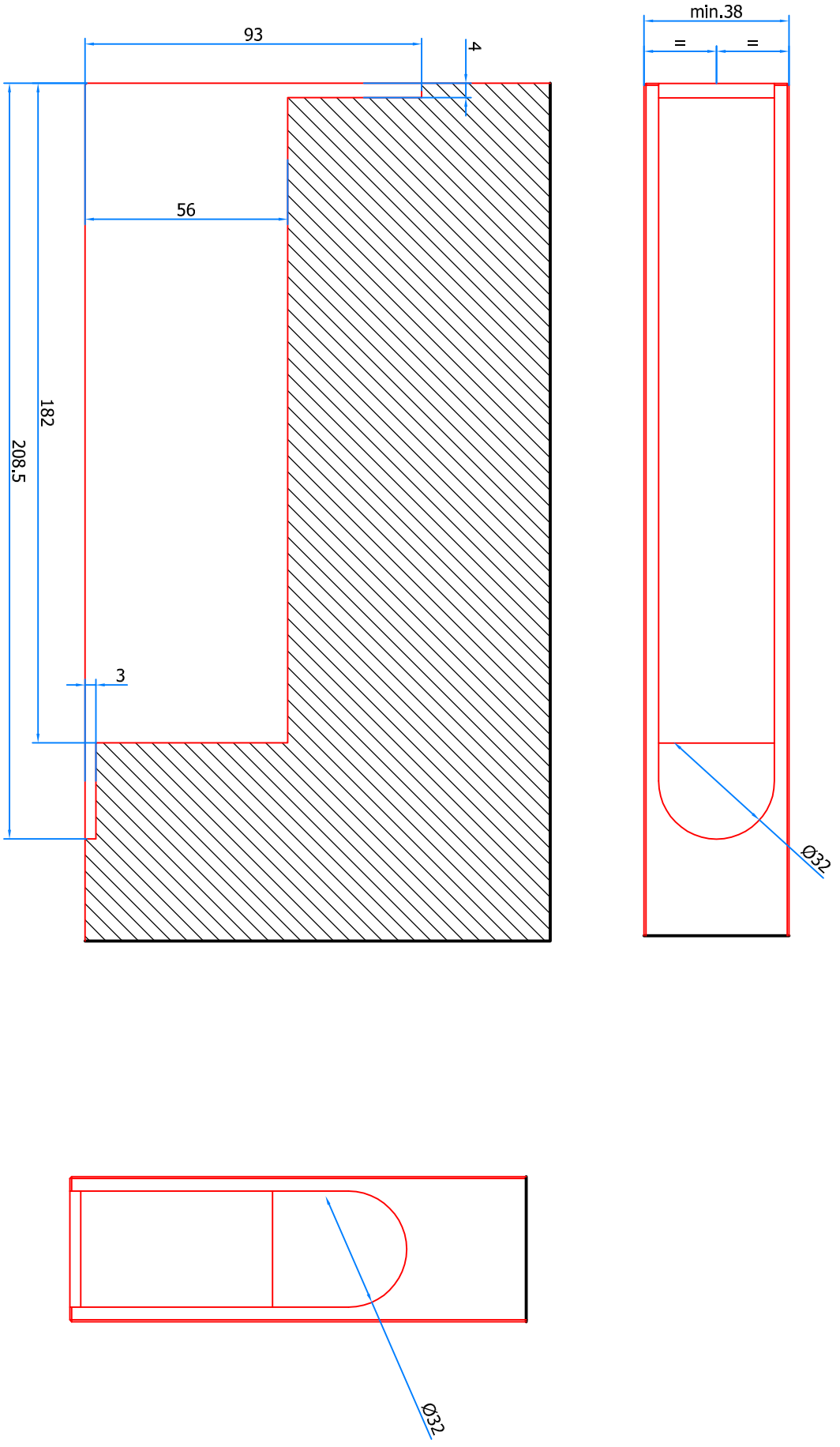
# Top side Door



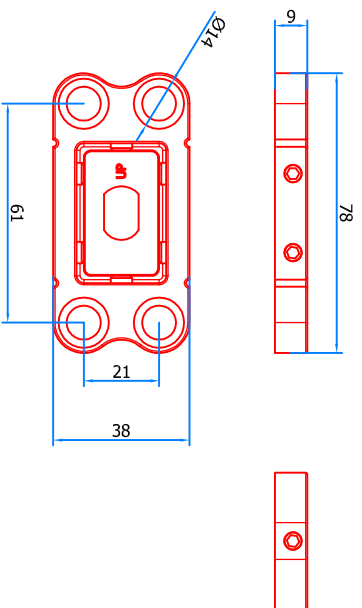
# Bottom part door



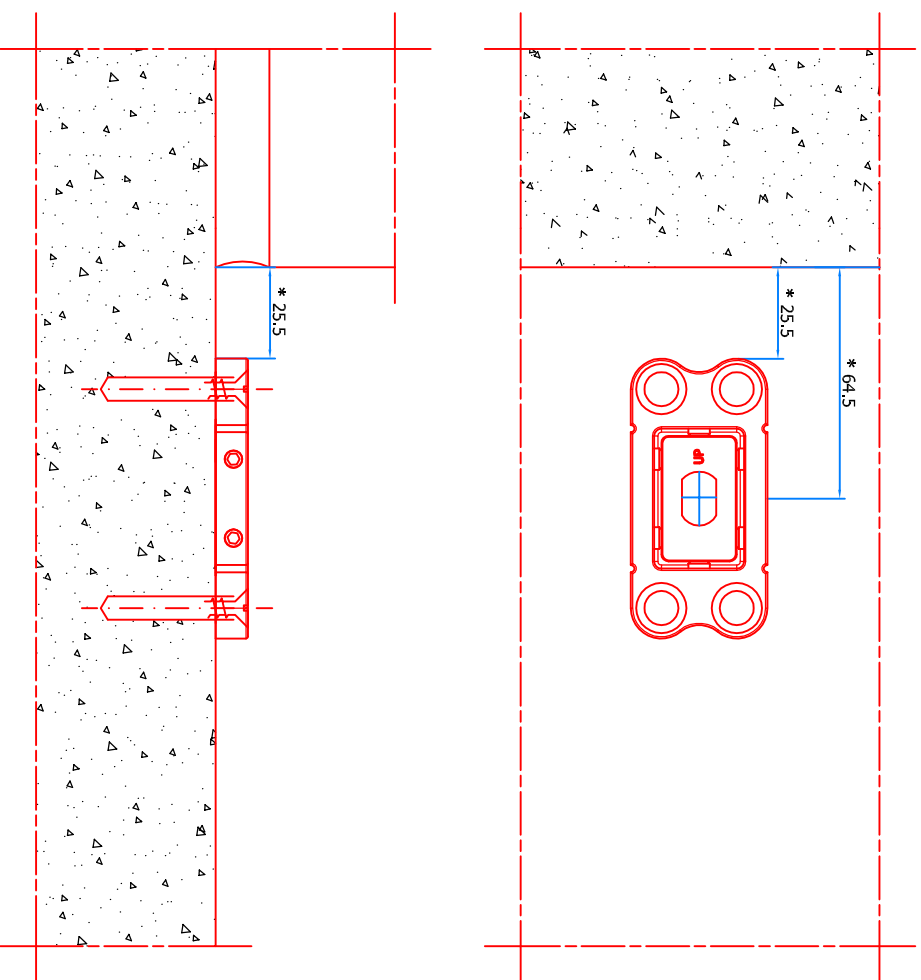
# Bottom side Door



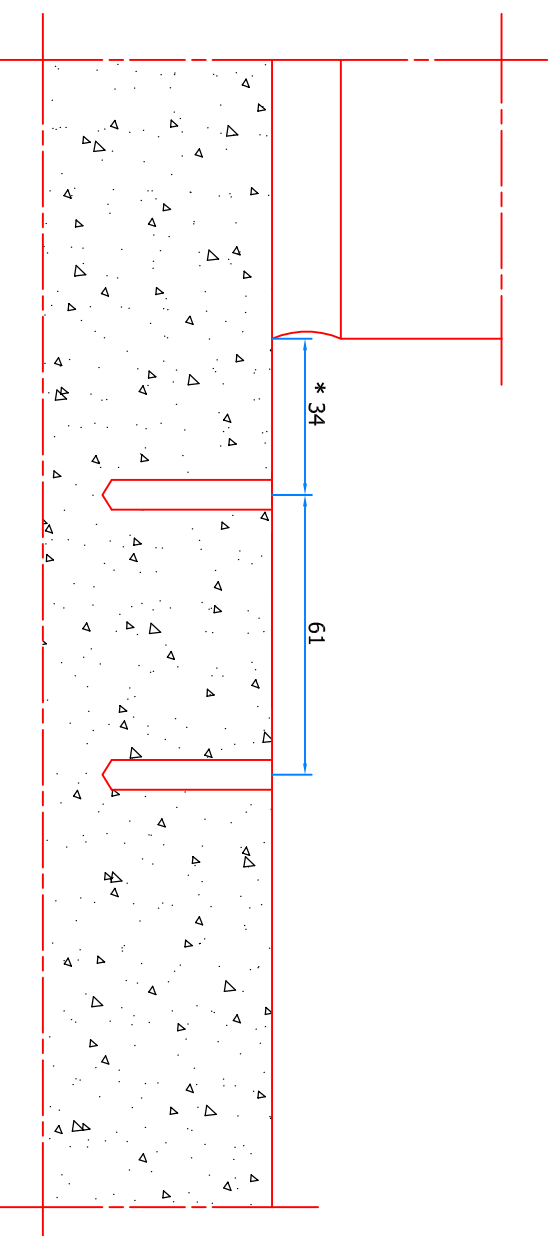
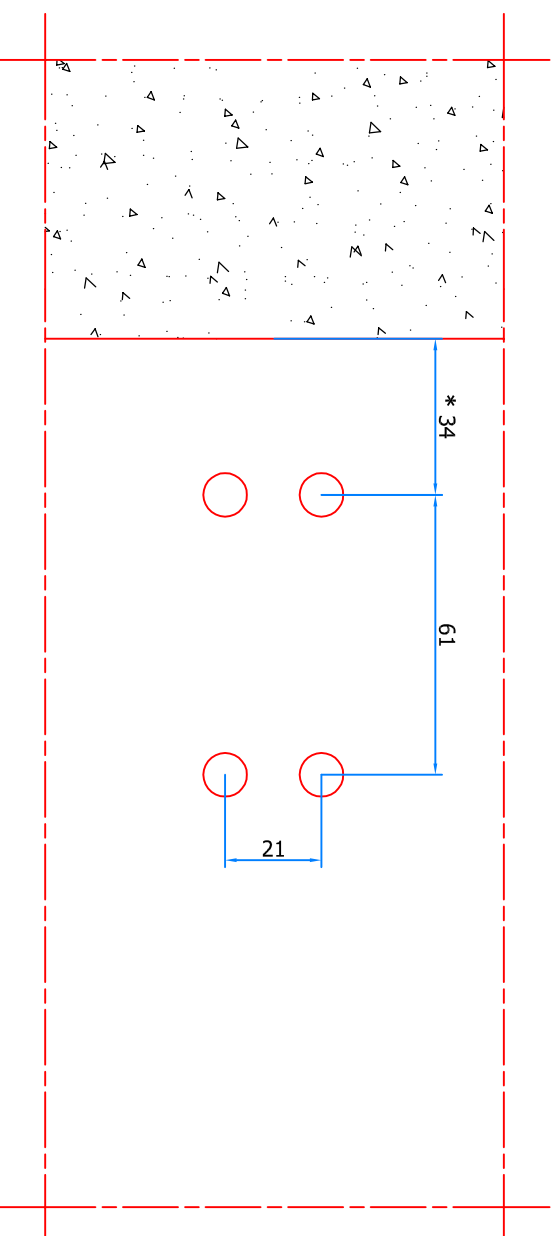
# Bottom part floor



- \* Door 40mm: =
- \* Door 45mm: =
- \* Door 50mm: +1mm
- \* Door 54mm: +2mm



# FLOOR

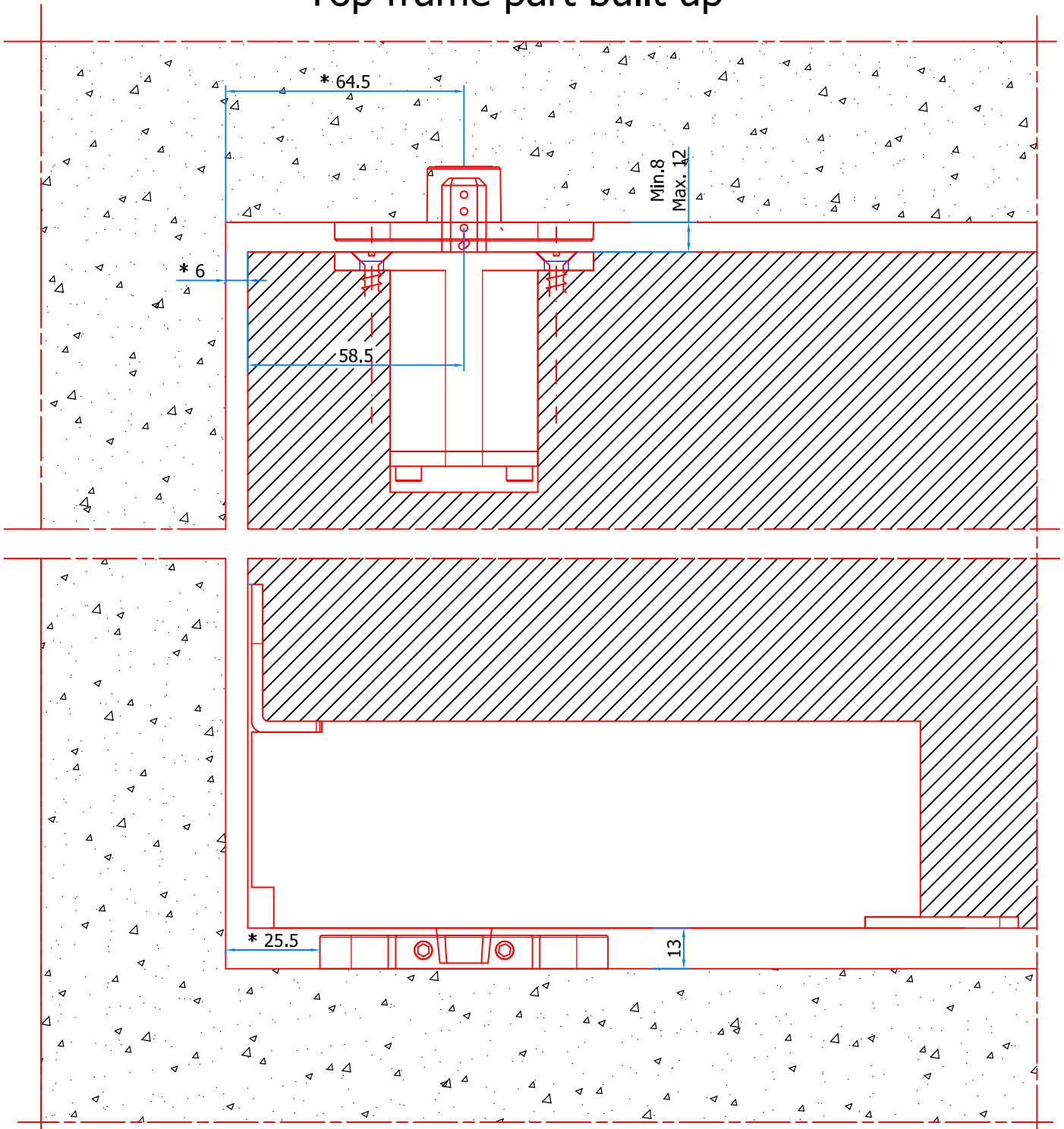


- \* Door 40mm: =
- \* Door 45mm: =
- \* Door 50mm: +1mm
- \* Door 54mm: +2mm



# Assembly Pivotica PRO

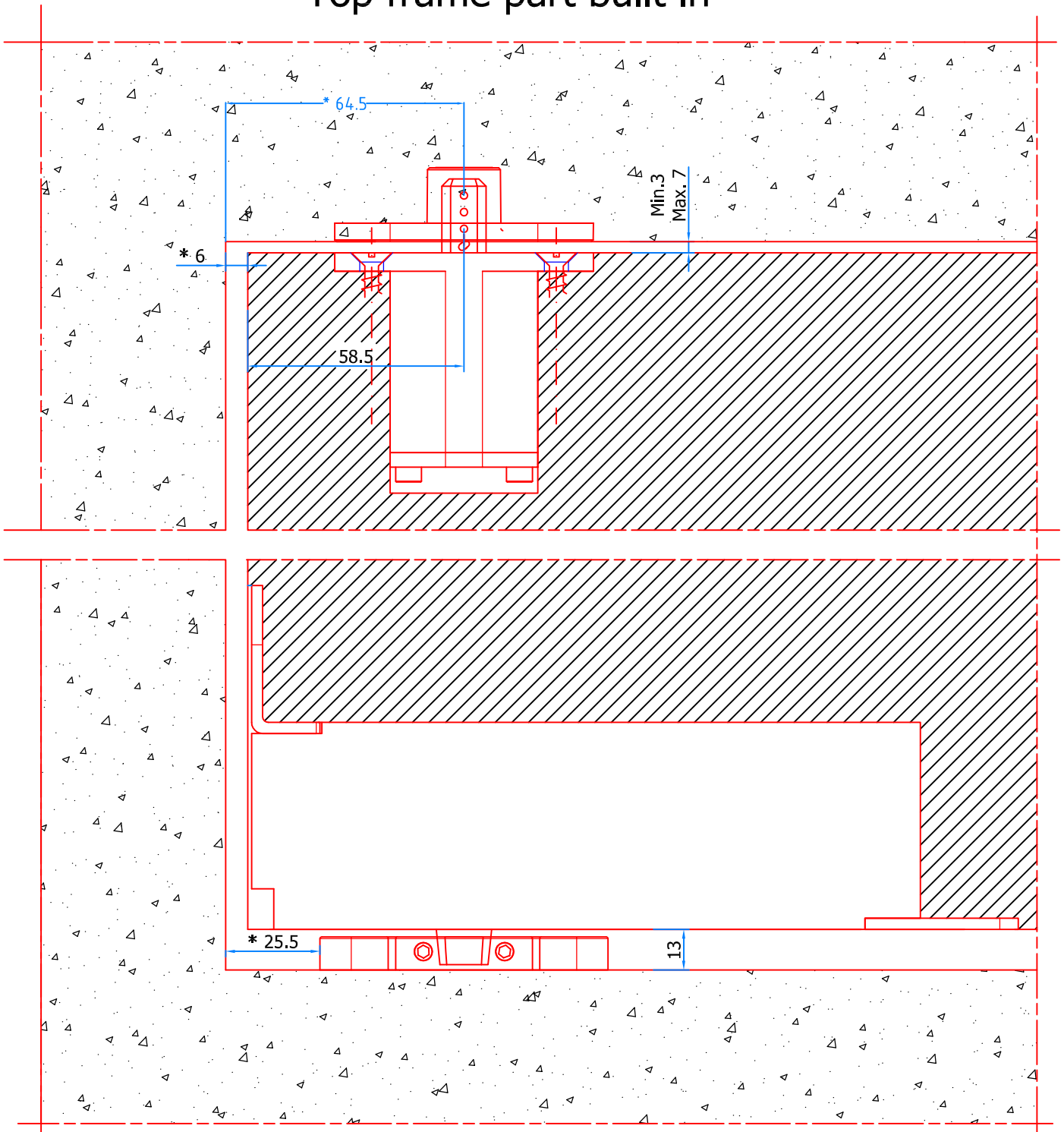
## Top frame part built up



- \* Door 40mm: =
- \* Door 45mm: =
- \* Door 50mm: **+1mm**
- \* Door 54mm: **+2mm**

# Assembly Pivotica PRO

## Top frame part built in



- \* Door 40mm: =
- \* Door 45mm: =
- \* Door 50mm: **+1mm**
- \* Door 54mm: **+2mm**