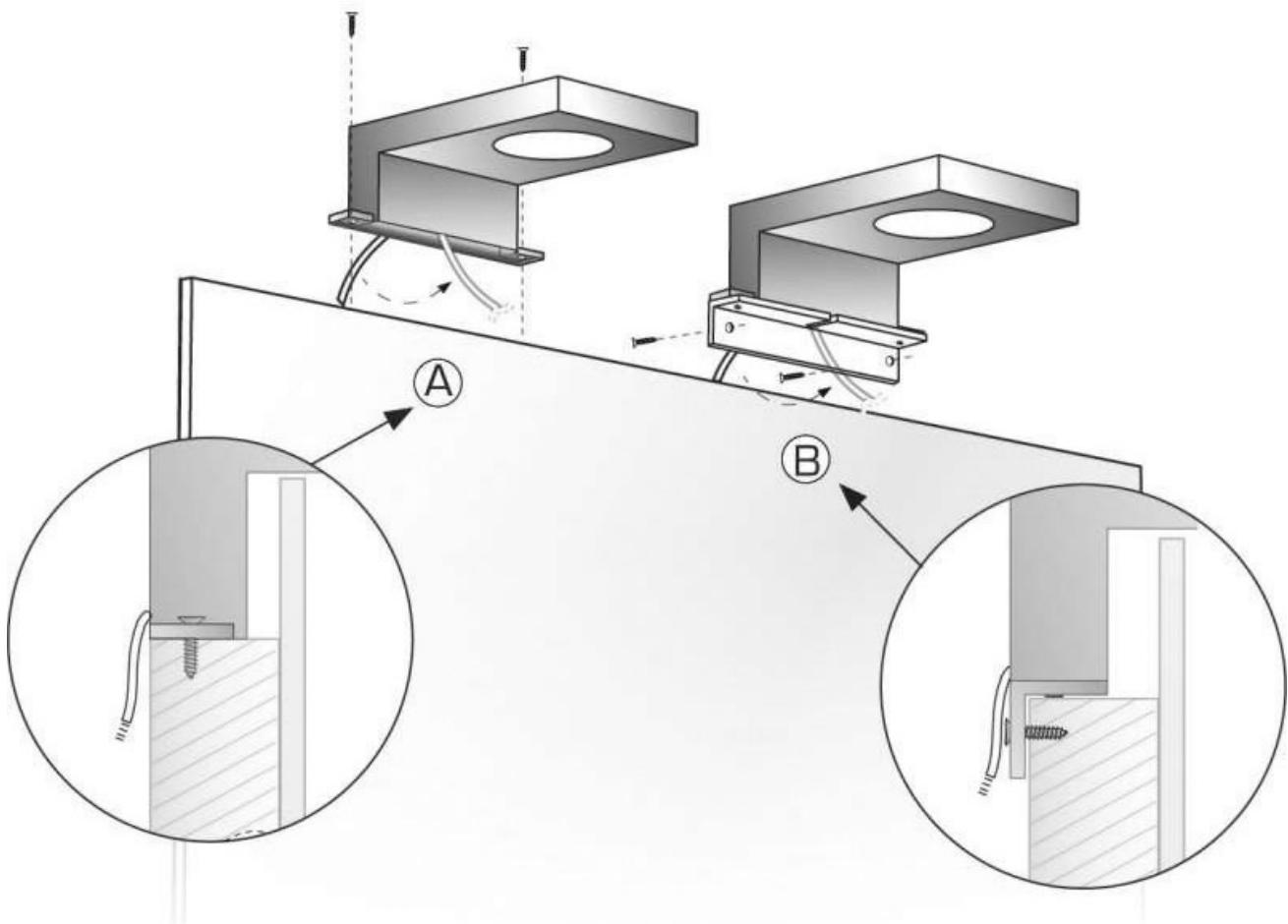


# SPOT LED MIROIR CARRÉ WINTOP

VOKIL



<http://www.qama.fr/spot-led-miroir-carre-wintop-p56269>



Tel : 02 43 13 49 49

Fax : 02 43 30 26 16

[www.qama.fr](http://www.qama.fr)

# SPOT LED MIROIR CARRÉ WINTOP

VOKIL



<http://www.qama.fr/spot-led-miroir-carre-wintop-p56269>



Tel : 02 43 13 49 49

Fax : 02 43 30 26 16

[www.qama.fr](http://www.qama.fr)